

INOX | Upright Cabinets

BAKERY REFRIGERATED CABINETS ▶ VENTILATED ▶ FREEZER



GENERAL FEATURES

- EURONORM Freezer upright cabinet
- White coated steel for external side and stainless steel for inner side
- Ventilated Cooling
- Evaporator and condenser with anti-corrosion treatment
- Bottom side engine room (for comfortable storage in the cabinet)
- Hot gas defrost system
- Digital thermostat with "opening door" and "High temperature" alarm
- Foaming Agent Cyclopentane (80mm)
- Removable Gasket
- LED light and lock fitted as standard
- Door: Self closing and reversible door fitted as standard
- Set of 10 slides for bakery tray 600X400
- Plastic thermal-braker as chamber body frame (Hot pipe system)
- Pressure valve for easily opening door
- N.4 Adjustable feet - S/S feet or castor with brake (Option)
- Energy efficiency class: D

TECHNICAL SPECIFICATIONS

Capacity	600 L
Temperature	-18° ~ -22°C
Consumption	6.1 kWh/24h
Rated Power	420W
Noise level	48 dB(A)
Net Weight	150 Kg
Gross Weight	161 Kg
External Dimensions (WxDxH mm)	740x880x2025
Internal Dimensions (WxDxH mm)	580x710x1430
Packaging dimensions (WxDxH mm)	760x900x2150
Loading quantities 20'/40'/40"HQ	18/39/39

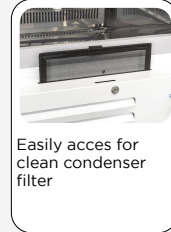
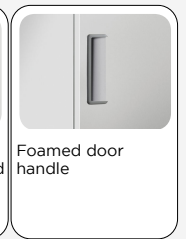
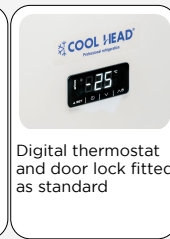
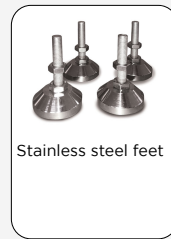
CERTIFICATION

CE RoHS

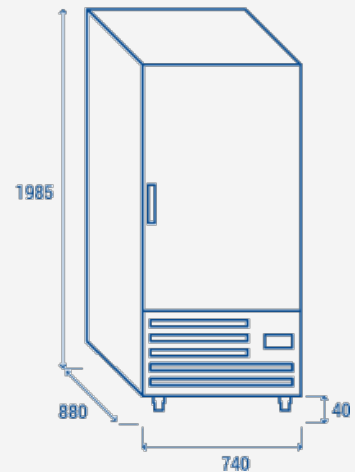
BN 740V



DETAILS



PRODUCT DIMENSIONS



RIGHTWAY ASIA
We make the world a cooler place