

DRINKS | Chestcooler

HORIZONTAL COOLERS

BTL 1000

GAS
R600a


] [
45 mm

4
CLIMATIC
CLASS


36°C

FILE
NOT
FOUND

DETAILS



Stainless steel sliding doors with grab handle



Bottle opener included



Independent main switch and knob for temperature regulation



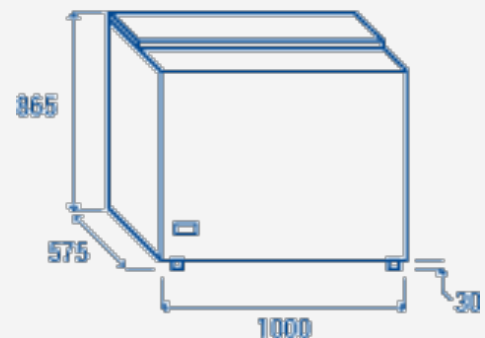
GENERAL FEATURES

- Horizontal cooler with N.2 sliding door •
- Stainless Steel exterior and interior •
- Static Cooling •
- Manual Defrost •
- Rear and lateral side airflow panel holes •
- Foaming Agent Cyclopentane (45mm per side) •
- Mechanical thermostat •
- Easy removable top •
- Stainless steel sliding doors with grab handle •
- Bottle opener included •
- Independent main switch •
- N.4 Adjustable feet •
- Energy efficiency class: - •

TECHNICAL SPECIFICATIONS

Capacity	248 L
Temperature	+0° - +8°C
Consumption	1.5 kWh/24h
Rated Power	200 W
Noise level	52 dB(A)
Net Weight	55 Kg
Gross Weight	67.5 Kg
External Dimensions (WxDxH mm)	1000x575x865
Internal Dimensions (WxDxH mm)	895x470x765
Packaging dimensions (WxDxH mm)	1040x610x1015
Loading quantities 20'/40'/40"HQ	40/76/76

PRODUCT DIMENSIONS



CERTIFICATION

CE RoHS



RIGHTWAY ASIA
We make the world a cooler place