

INOX | Upright Cabinets

BAKERY REFRIGERATED CABINETS ▶ STATIC ▶ CHILLER



GENERAL FEATURES

- EURONORM refrigerated upright cabinet
- White coated steel for external side and stainless steel for inner side
- Static cooling system with fan assisted cooling
- Condenser with anti-corrosion treatment
- Bottom side engine room (for comfortable storage in the cabinet)
- Automatic compressor cycle defrost
- Digital thermostat with "opening door" and "High temperature" alarm
- Foaming Agent Cyclopentane (80mm)
- Removable Gasket
- LED light and lock fitted as standard
- Door: Self closing and reversible door fitted as standard
- Set of 10 slides for bakery tray 600X400
- Plastic thermal-braker anti-condensation as chamber body frame
- N.4 Adjustable feet - S/S feet or castor with brake (Option)
- Energy efficiency class: D

TECHNICAL SPECIFICATIONS

Capacity	600 L
Temperature	+2° ~ +8°C
Consumption	2.5 kWh/24h
Rated Power	350 W
Noise level	48 dB(A)
Net Weight	150 Kg
Gross Weight	161 Kg
External Dimensions (WxDxH mm)	740x880x2025
Internal Dimensions (WxDxH mm)	580x710x1430
Packaging dimensions (WxDxH mm)	760x900x2150
Loading quantities 20'/40'/40'HQ	18/39/39

CERTIFICATION

CE RoHS



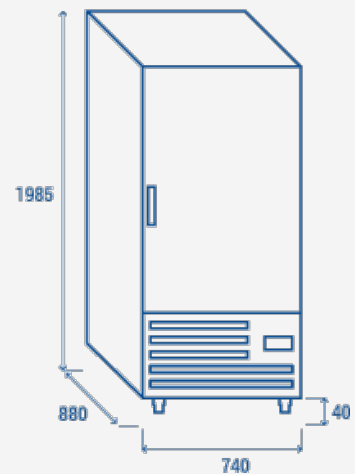
BY 740S



DETAILS



PRODUCT DIMENSIONS



RIGHTWAY ASIA
We make the world a cooler place