


DRINKS | Drink Cabinets

DRINK COOLER ▶ DC LINE ▶ HINGED DOORS ▶ WHITE

DC 1050



CUSTOMIZATION AVAILABLE
PERSONALIZZAZIONE DISPONIBILE



+1° | +10°



45 mm



M2 -1°C
+7°C

B
ENERGY CLASS

3 +25°C/60RH



LED











GAS
R290


DETAILS




Bottom hole for easily clean and dry the item



Ventilated unit



Inner LED light



Lock fitted as standard

GENERAL FEATURES

- 1050 Lt. Total view drink cooler
- White coated steel for internal and external side
- Ventilated Cooling
- Automatic compressor cycle defrost
- Foaming Agent Cyclopentane (45mm per side)
- Digital Thermostat
- Removable Gasket
- Independent switch for internal light
- Toughened safety glass
- Anti-condensation double layer glass
- Self closing door and lock fitted as a standard
- Adjustable shelves: 10 Pcs
- N.4 Wheels for easy positioning + N.2 feet anti-tilted
- Energy efficiency class: B

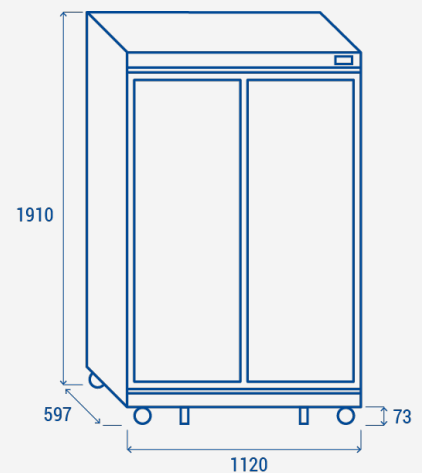
TECHNICAL SPECIFICATIONS

Capacity	805 L
Temperature	M2 (-1°C-+7°C)
Consumption	3.8 kWh/24h
Rated Power	450W
Noise level	58 dB(A)
Net Weight	128.00 Kg
Gross Weight	138.00 Kg
External Dimensions (WxDxH mm)	1120x597x1983
Internal Dimensions (WxDxH mm)	1030x480x1805
Packaging dimensions (WxDxH mm)	1175x650x2020
Loading quantities 20'/40'/40"HQ	18/30/30

CERTIFICATION

CE  RoHS

PRODUCT DIMENSIONS



RIGHTWAY ASIA
We make the world a cooler place