

DISPLAY | Multidecks

OPEN AIR COOLER ▶ WHITE

FT 188

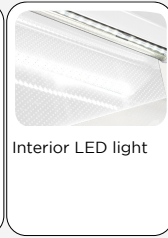
CUSTOMIZATION AVAILABLE
PERSONALIZZAZIONE DISPONIBILE

+2° | +10°

GAS R290 | M2 -1°C / +7°C | ENERGY CLASS F 3 +25°C/60RH

LED | |

DETAILS



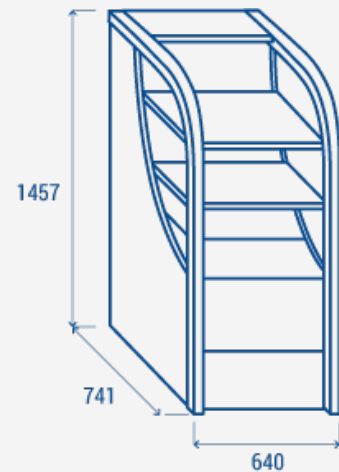
GENERAL FEATURES

- 180 Lt. Open air cooler (White color)
- White coated steel for internal and external side
- Double layer safety tempered glass
- Panoramic ends providing the maximum visibility of the goods
- Ventilated Cooling
- Automatic compressor cycle defrost
- Condensed water evaporating system with hot gas
- Digital display control
- Interior LED light (with independent switch)
- Independent main switch
- Height and angle adjustable shelves
- Nightblind for an optimal energy conservation during nights
- N.4 Adjustable feet
- Energy efficiency class: F

TECHNICAL SPECIFICATIONS

Capacity	180 L
Temperature	M2 (-1°C-+7°C)
Consumption	12.66 kWh/24h
Rated Power	650 W
Noise level	55 dB(A)
Net Weight	129 Kg
Gross Weight	173 Kg
External Dimensions (WxDxH mm)	640x741x1457
Internal Dimensions (WxDxH mm)	558x600x833
Packaging dimensions (WxDxH mm)	770x830x1695
Loading quantities 20'/40'/40"HQ	18/42/42

PRODUCT DIMENSIONS



CERTIFICATION

CE RoHS



RIGHTWAY ASIA
We make the world a cooler place