

INOX | Upright Cabinets

BAKERY REFRIGERATED CABINETS ▶ VENTILATED ▶ FREEZER



GENERAL FEATURES

- EURONORM Freezer upright cabinet •
- Stainless Steel exterior and interior •
- Ventilated Cooling •
- Automatic defrost with electric heater •
- Engine made with "Cassette system" •
- Evaporator with anti-corrosion treatment •
- Foaming Agent Cyclopentane (75mm per side) •
- Digital Thermostat •
- White backlit main switch •
- Opening door alarm •
- Removable Gasket •
- LED light and lock fitted as standard •
- Door: Self closing and reversible door fitted as standard •
- Set of 10 slides for bakery tray 600X400 •
- N.4 S/S Adjustable feet - (Lockable castor as Optional) •
- Energy efficiency class: D •

TECHNICAL SPECIFICATIONS

Capacity	550 L
Temperature	-18° - -22°C
Consumption	7.21 kWh/24h
Rated Power	664 W
Noise level	52 dB(A)
Net Weight	127 Kg
Gross Weight	151 Kg
External Dimensions (WxDxH mm)	700x820x2050
Internal Dimensions (WxDxH mm)	550x685x1435
Packaging dimensions (WxDxH mm)	740x860x2170
Loading quantities 20'/40'/40"HQ	20/41/41

CERTIFICATION

CE RoHS

QPN 740



GAS
R290

4
CLIMATIC CLASS

DETAILS



The items can be supplied either with adjustable feet or lockable castor



Euronorm 600x400mm set of guides (10 Layer for each door)



Curved edge for easy cleaning

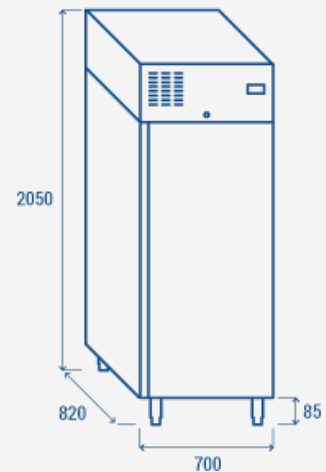


Evaporator with anti-corrosion treatment



Digital control and white backlit main switch

PRODUCT DIMENSIONS



RIGHTWAY ASIA
We make the world a cooler place