

# INOX | Upright Cabinets

REFRIGERATED CABINETS ▶ GN2/1-NO FROST ▶ CHILLER

QR 1488



	GAS <b>R290</b>	 85 mm	<b>B</b> ENERGY CLASS	<b>4</b> CLIMATIC CLASS	 38°C
	 LED				



## GENERAL FEATURES

- GN2/1 Refrigerated upright cabinet (CLASS B)
- Stainless Steel exterior and interior
- Plastic thermal-braker anti-condensation as chamber body frame
- Inner with embossed rear shelf stopper and wave for easy cleaning
- Ventilated Cooling
- Evaporator with anti-corrosion treatment
- Automatic defrost with electric heater
- Foaming Agent Cyclopentane (85mm)
- Digital thermostat with "opening door" and "High temperature" alarm
- Digital control with Wi-Fi function
- Removable Gasket
- LED light and lock fitted as standard
- Door with self closing door
- Adjustable shelves GN2/1: 6 + 2 + 3 middle
- N.4 S/S Adjustable feet - (Lockable castor as Optional)
- Energy efficiency class: B

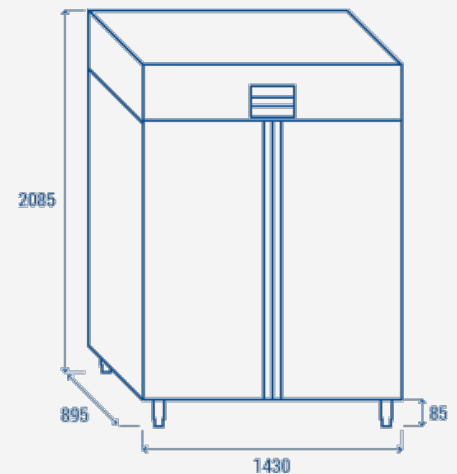
## DETAILS

The items can be supplied either with adjustable feet or lockable castor	Top horizontal LED light	Embossed rear shelf-stopper
Inner stainless steel waved guides	"Door opening and High temperature alarm" as standard	Bottom hole for easily clean and dry the item
Evaporator with anti-corrosion treatment	Digital control with Wi-Fi function	

## TECHNICAL SPECIFICATIONS

Capacity	<b>1105 L</b>
Temperature	<b>-2°C - +8°C</b>
Consumption	<b>1.92 kWh/24h</b>
Rated Power	<b>240 W</b>
Noise level	<b>62 dB(A)</b>
Net Weight	<b>234 Kg</b>
Gross Weight	<b>265 Kg</b>
External Dimensions (WxDxH mm)	<b>1430x918x2085</b>
Internal Dimensions (WxDxH mm)	<b>1260x665x1390</b>
Packaging dimensions (WxDxH mm)	<b>1450x920x2150</b>
Loading quantities 20'/40'/40"HQ	<b>7/16/16</b>

## PRODUCT DIMENSIONS



## CERTIFICATION



**RIGHTWAY ASIA**  
We make the world a cooler place