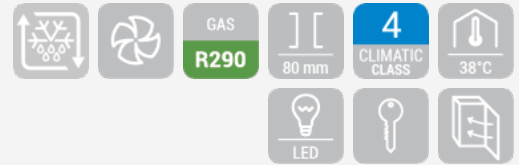


INOX | Upright Cabinets

REFRIGERATED CABINETS ▶ GN2/1-NO FROST ▶ CHILLER

QRM 12



DETAILS



GENERAL FEATURES

- GN2/1 Refrigerated upright cabinet (SPLIT DOOR) •
- Stainless Steel exterior and interior •
- Plastic thermal-braker anti-condensation as chamber body frame •
- Ventilated Cooling •
- Evaporator with anti-corrosion treatment •
- Hot gas defrost system •
- Foaming Agent Cyclopentane (80mm) •
- Curved edge for easy cleaning •
- Digital Thermostat •
- White backlit main switch •
- LED light and lock fitted as standard •
- Removable Gasket •
- Door with self closing door •
- Foamed door handle •
- Adjustable shelves GN2/1: 6 + 2 •
- N.4 S/S Adjustable feet - (Lockable castor as Optional) •
- Energy efficiency class: C •

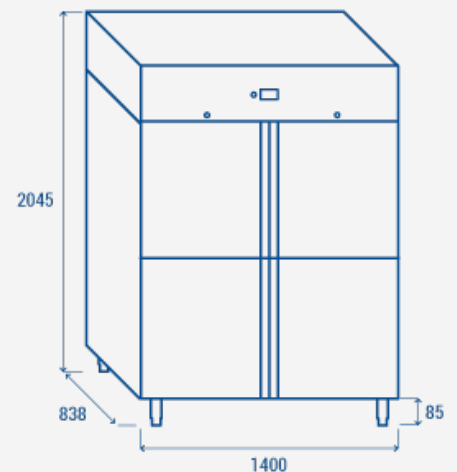
TECHNICAL SPECIFICATIONS

Capacity	1255 L
Temperature	-2° ~ +8°C
Consumption	3.57 kWh/24h
Rated Power	329W
Noise level	50 dB(A)
Net Weight	165.00 Kg
Gross Weight	187.00 Kg
External Dimensions (WxDxH mm)	1400x838x2045
Internal Dimensions (WxDxH mm)	1234x685x1485
Packaging dimensions (WxDxH mm)	1420x860x2110
Loading quantities 20'/40'/40'HQ	10/21/21

CERTIFICATION

CE RoHS

PRODUCT DIMENSIONS



RIGHTWAY ASIA
We make the world a cooler place