

DISPLAY | Countertop Displays

REFRIGERATED SHOWCASES UPRIGHT ▶ WHITE



RC 78W



GAS
R600a

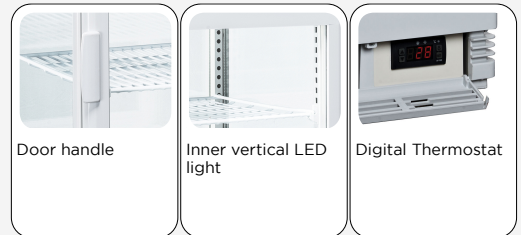
H1 | +1°C | +10°C

ENERGY CLASS
C

4 | +30°C/55RH

LED

DETAILS



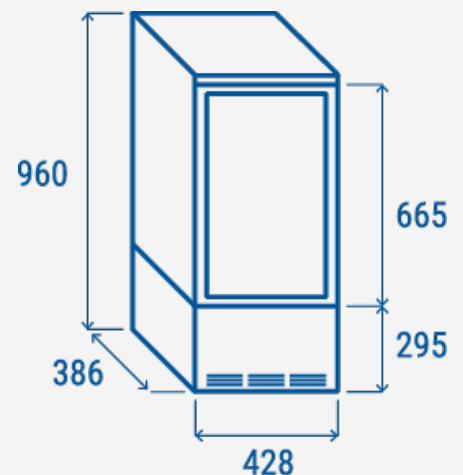
GENERAL FEATURES

- 78 Lt. Upright refrigerated showcase (White Color)
- Flat glass with white frame and plastic basement
- Ventilated Cooling
- Automatic compressor cycle defrost
- Digital display control
- Interior LED light
- Toughened safety glass
- Adjustable shelves (N.3 Pcs)
- N.4 fix support assembled under the basement
- Energy efficiency class: C

TECHNICAL SPECIFICATIONS

Capacity	78 L
Temperature	H1 (+1°C-+10°C)
Consumption	2.748 kWh/24h
Rated Power	180 W
Noise level	43 dB(A)
Net Weight	34 Kg
Gross Weight	41 Kg
External Dimensions (WxDxH mm)	428x386x960
Internal Dimensions (WxDxH mm)	400x370x600
Packaging dimensions (WxDxH mm)	475x432x1158
Loading quantities 20'/40'/40"HQ	126/252/252

PRODUCT DIMENSIONS



CERTIFICATION



RIGHTWAY ASIA
We make the world a cooler place