

# DISPLAY | Countertop Displays

REFRIGERATED SHOWCASES UPRIGHT ▶ INOX



## GENERAL FEATURES

- 170 Lt. Self service 4 sides glasses cabinet
- Flat glass with steel frame and basement
- Ventilated Cooling
- Automatic compressor cycle defrost
- Digital display control
- Interior LED light
- Anti-condensation double layer glass
- Rear sliding doors
- Adjustable chromed shelves (N.2 Pcs)
- N.4 Adjustable feet
- Energy efficiency class: C

## TECHNICAL SPECIFICATIONS

Capacity	177 L
Temperature	H2 (-1°C--+10°C)
Consumption	5.957 kWh/24h
Rated Power	350 W
Noise level	50.7 dB(A)
Net Weight	77 Kg
Gross Weight	90 Kg
External Dimensions (WxDxH mm)	805x438x935
Internal Dimensions (WxDxH mm)	758x366x638
Packaging dimensions (WxDxH mm)	894x532x1120
Loading quantities 20'/40'/40"HQ	44/92/92

## CERTIFICATION

CE RoHS



# RC 969



**GAS**  
**R290**

**H2**  
 -1°C  
 +10°C

**C**  
**ENERGY CLASS**

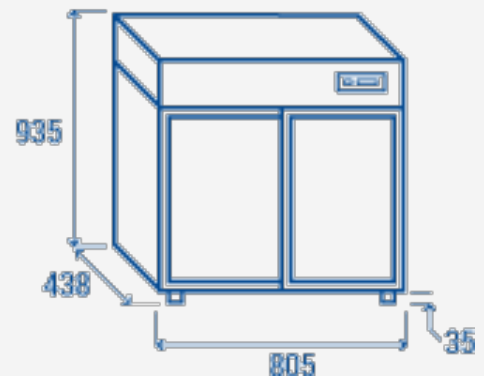
**4**  
 +30°C/55RH

**LED**

## DETAILS



## PRODUCT DIMENSIONS



**RIGHTWAY ASIA**  
We make the world a cooler place