

# DRINKS | Drink Cabinets

DRINK COOLER ▶ DC LINE ▶ HINGED DOORS ▶ WHITE

# RCG 1350

**CUSTOMIZATION AVAILABLE**  
PERSONALIZZAZIONE DISPONIBILE

45 mm	H1 +1°C +10°C	C ENERGY CLASS	3 +25°C/60RH
LED	Key	Refrigerant	GAS R290

## DETAILS

 Bottom hole for easily clean and dry the item	 Ventilated unit	 Inner vertical LED light
 Lock fitted as standard	 Main switch, light switch and digital thermostat fitted as standard	



## General features

- 1000 Lt. Upright drink cooler
- White coated steel for internal and external side
- Ventilated Cooling
- Automatic compressor cycle defrost
- Foaming Agent Cyclopentane (45mm per side)
- Digital Thermostat
- Removable Gasket
- Inner vertical LED light (with independent switch)
- Toughened safety tempered glass with aluminium frame
- Anti-condensation double layer glass
- Self closing door and lock fitted as a standard
- Adjustable shelves: 12 Pcs
- N.4 Wheels for easy positioning
- Energy efficiency class: C

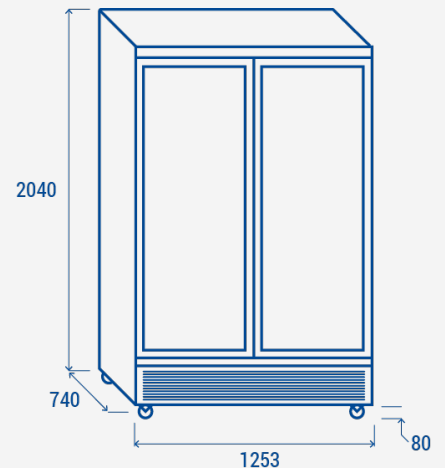
## Technical specifications

Capacity	<b>1081 L</b>
Temperature	<b>H1 (+1°C-- +10°C)</b>
Consumption	<b>5.6 kWh/24h</b>
Rated Power	<b>460 W</b>
Noise level	<b>58 dB(A)</b>
Net Weight	<b>179 Kg</b>
Gross Weight	<b>197 Kg</b>
External Dimensions (WxDxH mm)	<b>1253x740x2040</b>
Internal Dimensions (WxDxH mm)	<b>1163x543x1495</b>
Packaging dimensions (WxDxH mm)	<b>1278x760x2190</b>
Loading quantities 20'/40'/40'HQ	<b>12/27/27</b>

## CERTIFICATION

CE RoHS

## PRODUCT DIMENSIONS



**RIGHTWAY ASIA**  
We make the world a cooler place