

# DISPLAY | Countertop Displays

HOT COUNTERTOP SHOWCASES

## RH 160



### DETAILS



Stainless steel basement



Double glass to reduce dispersion



Inner LED light



### GENERAL FEATURES

- 160 Lt. Hot countertop showcase
- Curve glass and stainless steel basement
- Tempered glass with transparent frame
- Mechanical thermostat
- Analog thermometer
- Interior LED light
- Rear sliding doors
- Adjustable chromed shelves (N.3 Pcs)
- N.4 fix support assembled under the basement

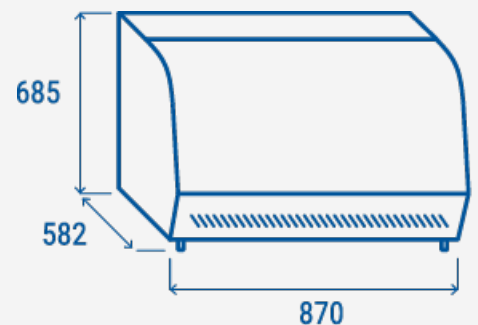
### TECHNICAL SPECIFICATIONS

Capacity	160 L
Temperature	+30° ~ +90°C
Consumption	N/A kWh/24h
Rated Power	1500 W
Noise level	13 dB(A)
Net Weight	56 Kg
Gross Weight	63 Kg
External Dimensions (WxDxH mm)	870x582x685
Internal Dimensions (WxDxH mm)	840x505x430
Packaging dimensions (WxDxH mm)	928x627x851
Loading quantities 20'/40'/40"HQ	63/126/126

### CERTIFICATION

CE RoHS

### PRODUCT DIMENSIONS



**RIGHTWAY ASIA**  
We make the world a cooler place