

FREEZER | Countertop Freezers

UPRIGHT FREEZER

RNG 90

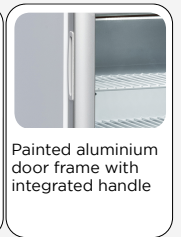
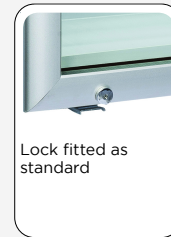


CUSTOMIZATION AVAILABLE
PERSONALIZZAZIONE DISPONIBILE

-20° | -15°

55 mm | L2 -18°C / -12°C | ENERGY CLASS C | 3 +25°C/60RH | LED | GAS R290

DETAILS



GENERAL FEATURES

- 90 Lt. Upright freezer
- White coated steel for internal and external side
- Static Cooling
- Manual Defrost
- Foaming Agent Cyclopentane (55mm per side)
- Removable Gasket
- Interior LED light
- Triple heated safety tempered glass
- Self Closing Door
- Painted aluminium door frame with integrated handle
- Lock fitted as standard
- Adjustable shelves: 3 Pcs
- N.4 Adjustable feet
- Energy efficiency class: C

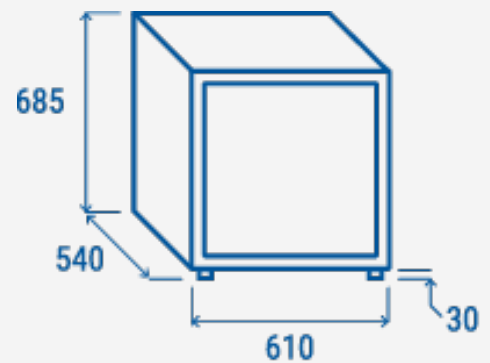
TECHNICAL SPECIFICATIONS

Capacity	90 L
Temperature	L2 (-12°C--18°C)
Consumption	3.18 kWh/24h
Rated Power	213 W
Noise level	45 dB(A)
Net Weight	49 Kg
Gross Weight	54 Kg
External Dimensions (WxDxH mm)	610x540x685
Internal Dimensions (WxDxH mm)	500x430x540
Packaging dimensions (WxDxH mm)	655x595x735
Loading quantities 20'/40'/40"HQ	81/171/171

CERTIFICATION

CE RoHS

PRODUCT DIMENSIONS



RIGHTWAY ASIA
We make the world a cooler place