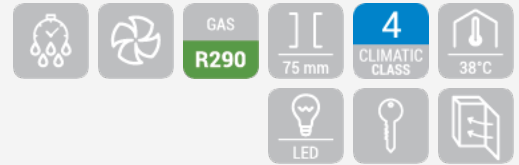


INOX | Upright Cabinets

REFRIGERATED CABINETS ▶ GN2/1-NO FROST ▶ CHILLER

RPM 14



DETAILS



The items can be supplied either with adjustable feet or lockable castor

Curved edge for easy cleaning



GENERAL FEATURES

- GN2/1 Refrigerated upright cabinet (SPLIT DOOR)
- Stainless Steel exterior and interior
- Plastic thermal-braker as chamber body frame (Hot pipe system)
- Ventilated Cooling
- Automatic compressor cycle defrost
- Foaming Agent Cyclopentane (75mm)
- Curved edge for easy cleaning
- Digital Thermostat
- Lock and main switch fitted as standard
- Inner LED light
- Removable Gasket
- Door with self closing door
- Foamed door handle
- Adjustable shelves GN2/1: 8 pcs
- N.4 S/S Adjustable feet - (Lockable castor as Optional)
- Energy efficiency class: C

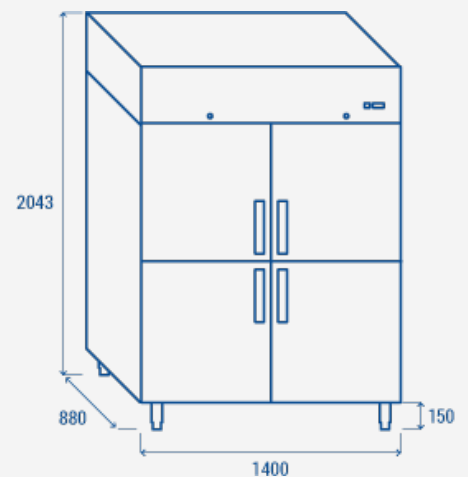
TECHNICAL SPECIFICATIONS

| | |
|----------------------------------|---------------|
| Capacity | 1400 L |
| Temperature | 0° - +8°C |
| Consumption | 2.499 kWh/24h |
| Rated Power | 600 W |
| Noise level | 50 dB(A) |
| Net Weight | 190 Kg |
| Gross Weight | 204 Kg |
| External Dimensions (WxDxH mm) | 1400x880x2043 |
| Internal Dimensions (WxDxH mm) | 1253x698x1426 |
| Packaging dimensions (WxDxH mm) | 1440x900x2143 |
| Loading quantities 20'/40'/40"HQ | N/A/16/16 |

CERTIFICATION

CE RoHS

PRODUCT DIMENSIONS



RIGHTWAY ASIA
We make the world a cooler place