

INOX | Saladette

SALADETTE ▶ GN1/1 ▶ OPEN TOP

S 900 SQ





GAS

R290

35 mm

4

CLIMATIC CLASS

36°C





DETAILS



All shelves mounted with anti-tipping system



Inner assistance fan



Curve glass



Curved tempered glass with middle shelf

GENERAL FEATURES

- GN1/1 Refrigerated saladette (OPEN TOP)
- Stainless Steel exterior and interior
- Static cooling with fan assisted cooling
- Automatic compressor cycle defrost
- Foaming Agent Cyclopentane (35mm per side)
- Digital Thermostat
- Independent main switch
- Foamed door handle
- Easy removable condenser filter
- Separated plastic water tray
- Front panel tilted holes for better air circulation
- Adjustable shelves GN1/1: 2 Pcs
- Removable Gasket
- N.2 Adjustable feet + N.2 Rollers at the back
- Holder spacer for GN pans with "hook" design (included)
- Energy efficiency class: -

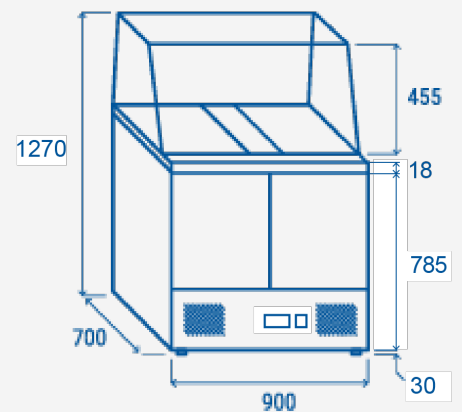
TECHNICAL SPECIFICATIONS

Capacity	247 L
Temperature	+2° - +10°C
Consumption	3.39 kWh/24h
Rated Power	263 W
Noise level	48 dB(A)
Net Weight	101 Kg
Gross Weight	125 Kg
External Dimensions (WxDxH mm)	900x700x1270
Internal Dimensions (WxDxH mm)	830x595x455
Packaging dimensions (WxDxH mm)	930x730x990
Loading quantities 20'/40'/40'HQ	36/72/72

CERTIFICATION

CE  RoHS

PRODUCT DIMENSIONS



RIGHTWAY ASIA
We make the world a cooler place